

TEST AND DRAIN VALVES

Test And Drain Valve / Model ATDV

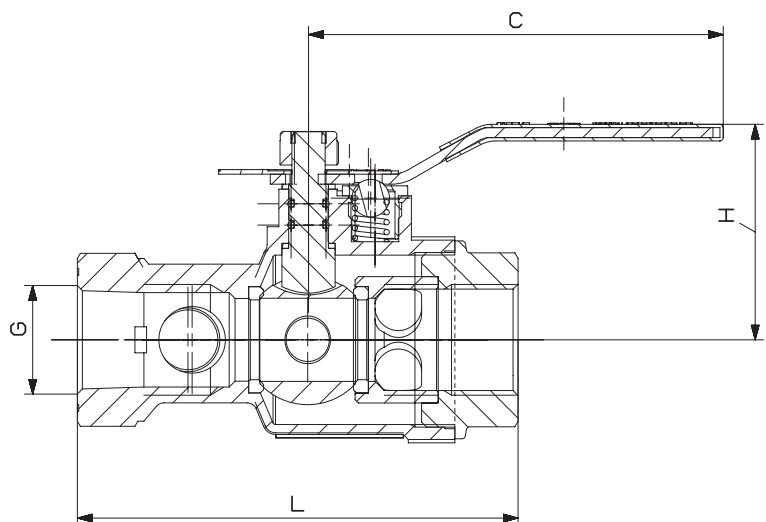
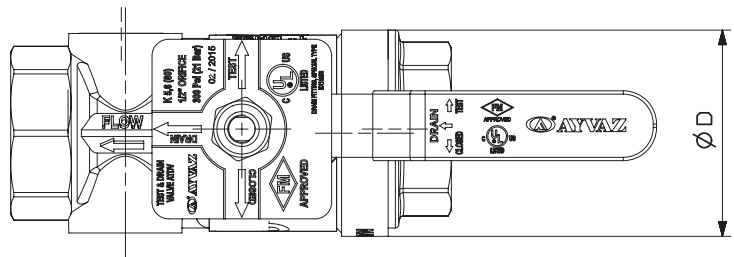


Features

- Used to test & drain water flow through sprinkler systems
- OFF-TEST-DRAIN position
- Integral sight glass
- Complies with the requirements of NFPA-13, NFPA-13R, and NFPA-13D

Dimensions

| SIZE | 1" | 1 1/4" | 1 1/2" | 2" |
|---------------------|-------------------|--------|--------|------|
| APPROVALS & LISTING | FM, UL, ULC | | | |
| RATED PRESSURE | 300PSI (20.6 BAR) | | | |
| ORIFICE | 1/2" | | | |
| K-FACTOR | 5,6 | | | |
| L (mm) | 133 | | 173 | |
| C (mm) | 126 | | 156 | |
| H (mm) | 65 | | 84 | |
| D (mm) | 60 | | 92 | |
| WEIGHTS (KG.) | 1.40 | 1.30 | 3.50 | 3.00 |



Materials

| PART | MATERIAL |
|-----------------|--------------------|
| Handle | Steel Vinyl Coated |
| Stem | Stainless Steel |
| Ball | Brass |
| Body | Brass |
| Indicator Plate | Stainless Steel |
| Ball Seat | PTFE |
| Stem Seal | PTFE |
| O-Ring Seal | EPDM |



TEST AND DRAIN VALVES

Test And Drain Valve / Model STDV



Features

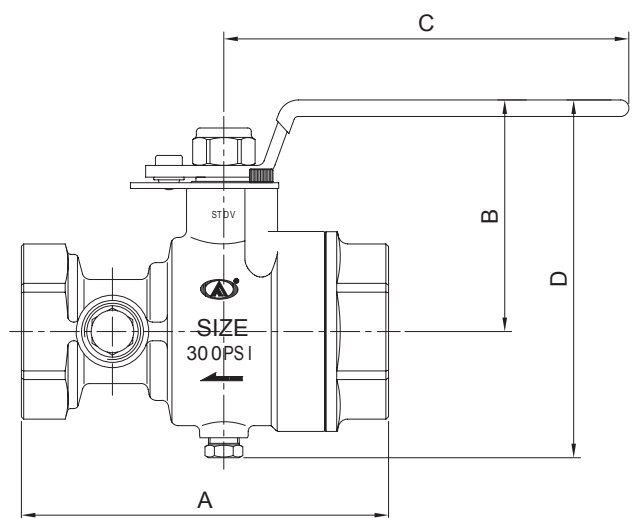
- Used to test & drain water flow through sprinkler systems
- OFF-TEST-DRAIN position
- Integral sight glass
- Complies with the requirements of NFPA-13, NFPA-13R, and NFPA-13D

Dimensions

| Size (inch) | 1" | | 1 1/4" | | 1 1/2" | | | | 2" | | | |
|----------------------|--------------------|------|--------|------|--------|------|------|--------|-------|------|------|--------|
| Connection | Threaded (F x F) | | | | | | | | | | | |
| Approvals & Listings | FM, UL, ULC | | | | | | | | | | | |
| Rated Pressure | 300PSI | | | | | | | | | | | |
| Orifice Size | 7/16" | 1/2" | 7/16" | 1/2" | 7/16" | 1/2" | 3/4" | 19/64" | 7/16" | 1/2" | 3/4" | 19/64" |
| K-Factor | 4,2 | 5,6 | 4,2 | 5,6 | 4,2 | 5,6 | 14 | 25,2 | 4,2 | 5,6 | 14 | 25,2 |
| A (mm) | 128,2 | | | | 157,2 | | | | | | | |
| B (mm) | 68,5 | | | | 99,1 | | | | | | | |
| C (mm) | 130,5 | | | | 174 | | | | | | | |
| D (mm) | 112 | | | | 154 | | | | | | | |
| Weights (kg) | 1,3 | | | | 2,7 | | | | 2,78 | | | |

Materials

| PART | MATERIAL |
|-----------------|--------------------|
| Body | Brass |
| Ball | Brass |
| Ball Seat | TFM |
| Indicator Plate | Stainless Steel |
| Handle | Steel Vinyl Coated |
| Stem | Stainless Steel |
| Stem Seal | PTFE |
| O-Ring Seal | EPDM |



TEST AND DRAIN VALVES

Test And Drain Valve / Model GTDV



Features

- Used to test & drain water flow through sprinkler systems
- OFF-TEST-DRAIN position
- Integral sight glass
- Complies with the requirements of NFPA-13, NFPA-13R, and NFPA-13D

Dimensions

| Size (inch) | 1 1/4" | | 1 1/2" | | | | 2" | | | |
|----------------------|-------------|------|--------|------|------|--------|-------|------|------|--------|
| Connection | Grooved | | | | | | | | | |
| Approvals & Listings | FM, UL, ULC | | | | | | | | | |
| Rated Pressure | 300PSI | | | | | | | | | |
| Orifice Size | 7/16" | 1/2" | 7/16" | 1/2" | 3/4" | 19/64" | 7/16" | 1/2" | 3/4" | 19/64" |
| K-Factor | 4,2 | 5,6 | 4,2 | 5,6 | 14 | 25,2 | 4,2 | 5,6 | 14 | 25,2 |
| A (mm) | 161,6 | | 190,9 | | | | | | | |
| B (mm) | 68,5 | | 99,1 | | | | | | | |
| C (mm) | 130,5 | | 174 | | | | | | | |
| D (mm) | 112 | | 154 | | | | | | | |
| Weights (kg) | 1,4 | | 2,8 | | | | 3 | | | |

Materials

| PART | MATERIAL |
|-----------------|--------------------|
| Body | Brass |
| Ball | Brass |
| Ball Seat | TFM |
| Indicator Plate | Stainless Steel |
| Handle | Steel Vinyl Coated |
| Stem | Stainless Steel |
| Stem Seal | PTFE |
| O-Ring Seal | EPDM |

