

GTK-16 NON-RISING STEM RESILIENT GATE VALVE

Non rising stem resilient gate valves are designed with rubber coated disc to provide excellent sealing features by the resilient deformation of the rubber. This type of gate valve has been developed in order to prevent the problems of general gate valve such as leakage and rusting also to save installation space by its compact design.

Design: Gate valves are named because the part that either stops or allows flow through the valve operates like the opening or closing of a gate. Non-rising stem valve has been designed with a threaded stem which enables the movement of the gate up and down. This type of valves is preferred when a straight line flow and minimum restriction is needed.

Application Areas:

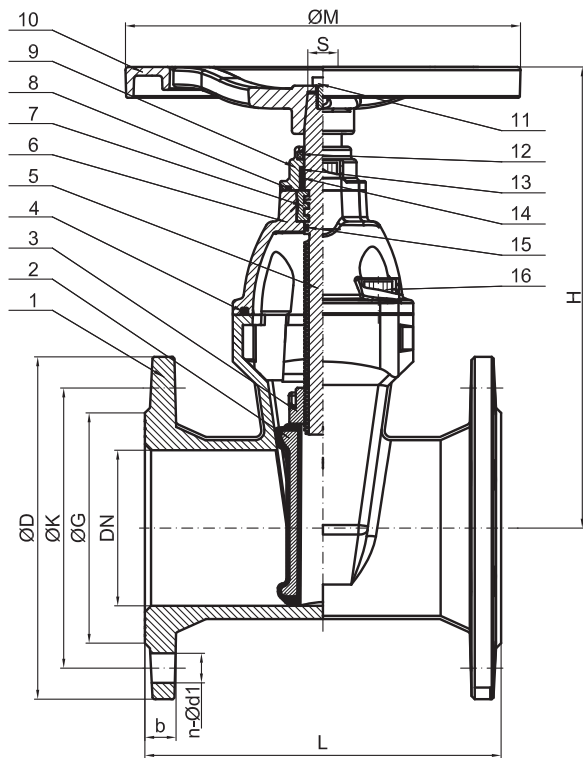
Non-rising stem resilient Gate Valves are used widely in tap water applications and sewage treatment in many industries such as;

- Shipping Construction
- Petroleum
- Chemicals
- Food
- Pharmacy
- Textile
- Electric Power
- Metallurgy And Energy System

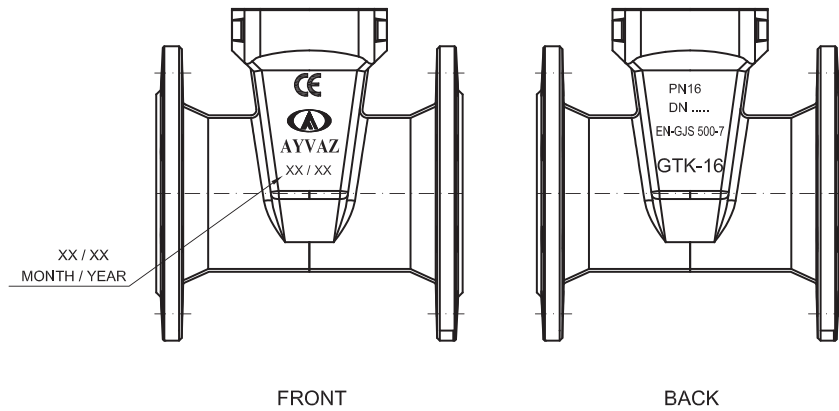


PRODUCT FEATURES	
Body	Ductile Iron GGG 40.3
Disc	Rubber Coated Cast Iron
Gasket	NBR/EPDM
Connection	Flanged
Max. Operating Temp.	120°C
Max. Operating Pressure	16 bar

GTK-16 NON-RISING STEM RESILIENT GATE VALVE



Part Number	Part Name	Material
1	Body	Ductile Iron GGG 40.3
2	Disc	EPDM Coated Ductile Iron GGG 40.3
3	Stem Nut	Brass
4	Bonnet Gasket	NBR
5	Stem	Stainless Steel
6	Bonnet	Ductile Iron GGG 40.3
7	Holding Ring	Brass
8	O-Ring	NBR
9	Gland	Ductile Iron GGG 40.3
10	Handwheel	Ductile Iron GGG 40.3
11	Bonnet Bolts	SS 410
12	Dust Ring	NBR
13	O-Ring	NBR
14	Separated Sets of Nylon	Nylon 66
15	O-Ring	NBR
16	Screw	SS 410



FRONT

BACK

DIMENSIONS											
DN	Outline (mm)				DN	End Flange PN 16 (mm)					
	L	H	M	h1		G	K	n-Ød1	b	D	S
40	140	175	200	345	40	84	110	4-Ø19	19	150	14
50	150	198	200	350	50	98	125	4-Ø19	19	165	14
65	170	233	254	370	65	118	145	4-Ø19	19	185	17
80	180	250	254	405	80	132	160	4-Ø19	19	200	17
100	190	300	254	411	100	156	180	8-Ø19	19	220	19
125	200	255	315	500	125	184	210	8-Ø19	19	250	19
150	210	378	315	555	150	211	240	8-Ø23	19	285	19
200	230	470	406	650	200	268	295	12-Ø23	20	340	24
250	250	570	500	750	250	320	355	12-Ø28	22	405	27
300	270	650	500	855	300	378	410	12-Ø28	24,5	460	27