

NDP-80 Series

800L/min Maximum Flow Rate
3 inch Port Size

Specifications

Port Size		3" (80A)
Liquid	Intake	JIS/DIN/ANSI Compatible Flange (BF□:Rc3")
	Discharge	JIS/DIN/ANSI Compatible Flange (BF□:Rc3")
Air	Supply	Rc3/4" includes ball valve
	Exhaust	Rc1" w/silencer
Air Supply Pressure		0.2 - 0.7 MPa
Maximum Discharge Pressure		0.7 MPa

Discharge Volume Per Cycle	Rubber diaphragm: 8.5L PTFE diaphragm: 3.8L
Maximum Size Solid	10mm
Net Weight	NDP-80BA□: 65.0kg
	NDP-80BS□: 102.0kg
	NDP-80BF□: 112.0kg
	NDP-80BP□: 64.0kg

Metal Body Pumps



NDP-80BA □



NDP-80BS □

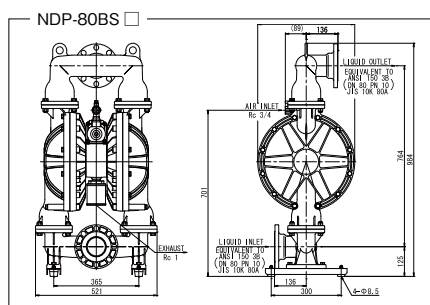
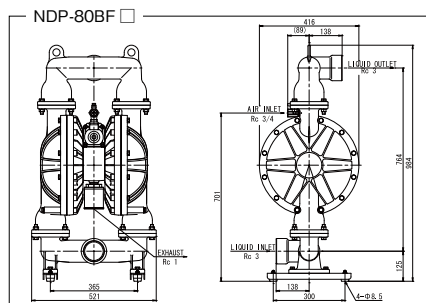
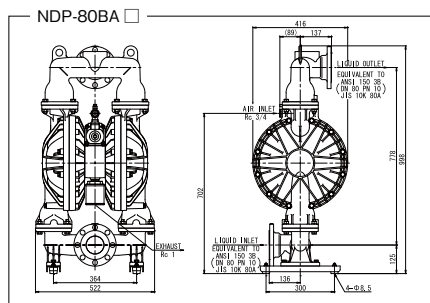


NDP-80BF □

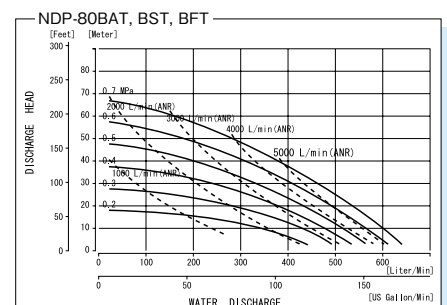
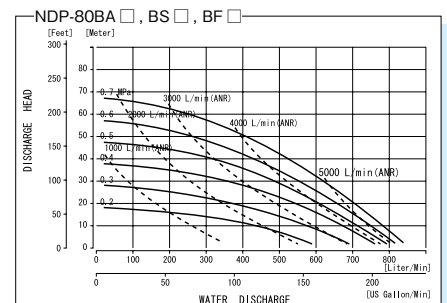
Model Chart

Body Material	Diaphragm Material						
	Neoprene (CR)	Buna N (NBR)	EPDM	Viton® (FKM)	PTFE	Hytrel® (TPEE)	Santoprene® (TPO)
Aluminum (ADC12)	NDP-80BAC (852667)	NDP-80BAN (852338)	NDP-80BAE (852668)	NDP-80BAV (852316)	NDP-80BAT (852340)	NDP-80BAH (852339)	NDP-80BAS (852722)
Stainless Steel (SCS14/SUS316)	NDP-80BSC (852669)	NDP-80BSN (852341)	NDP-80BSE (852670)	NDP-80BSV (852317)	NDP-80BST (852343)	NDP-80BSH (852342)	NDP-80BSS (852723)
Cast Iron (S45C)	NDP-80BFC (852852)	NDP-80BFN (852848)	NDP-80BFE (852853)	NDP-80BFV (852851)	NDP-80BFT (852850)	NDP-80BFH (852849)	NDP-80BFS (852724)

Dimensions



Performance Curve



Body Materials

Models	NDP-80BA□	NDP-80BS□	NDP-80BF□	NDP-80BP□
Check Valve	Same material as the diaphragm			
Valve Seat	Same material as the diaphragm			PPG
	BAT: A5056	BST: SUS316	BFT: SUS316	
Valve Guide	Same material as the Pump Body (integral type)			
Center Disk	A5056	SUS316	SUS316	PPG (SCS13*)

* Material of the insert

✓ Maximum Dry Suction Lift is 5M for Rubber Diaphragm and 3M for PTFE Diaphragm

Plastic Body Pumps



Air supply pressure of Plastic Body Pumps is depending on the liquid temperature. Be sure to check the Liquid temperature – Pressure Correlation Chart.

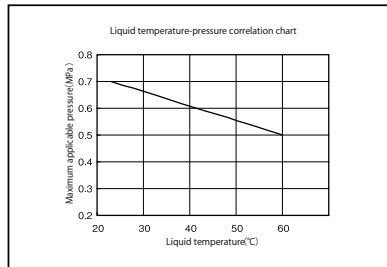
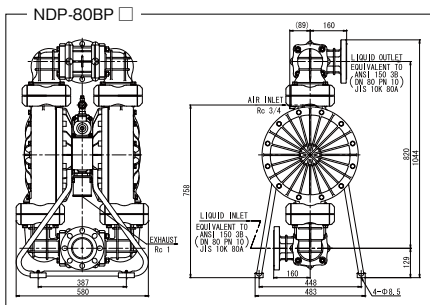


NDP-80BP □

Model Chart

Body Material	Diaphragm Material						
	Neoprene (CR)	Buna N (NBR)	EPDM	Viton® (FKM)	PTFE	Hytrel® (TPEE)	Santoprene® (TPO)
Polypropylene (PPG)	NDP-80BPC (852671)	NDP-80BPN (852344)	NDP-80BPE (852672)	NDP-80BPV (852318)	NDP-80BPT (852346)	NDP-80BPH (852345)	NDP-80BPS (852724)

Dimensions



Performance Curve

