

# NDP-40 Series

400L/min Maximum Flow Rate  
1-1/2 inch Port Size

## Specifications

Port Size		1-1/2" (40A)
Liquid	Intake	JIS/DIN Compatible Flange (BF□:Rc1-1/2")
	Discharge	JIS/DIN Compatible Flange (BF□:Rc1-1/2")
Air	Supply	Rc1/2" includes ball valve
	Exhaust	Rc1" w/silencer
Air Supply Pressure		0.2 - 0.7MPa
Maximum Discharge Pressure		0.7MPa

Discharge Volume Per Cycle	Rubber diaphragm: 2.8L PTFE diaphragm: 1.4L
Maximum Size Solid	7mm
Net Weight	NDP-40BA□: 29.0kg
	NDP-40BS□: 40.0kg
	NDP-40BF□: 47.0kg
	NDP-40BP□: 27.0kg
	NDP-40BV□: 27.0kg

## Metal Body Pumps



NDP-40BA □



NDP-40BS □

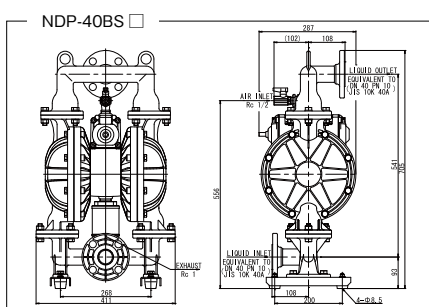
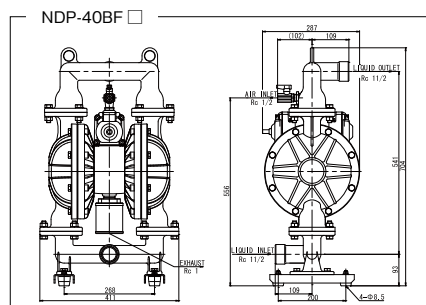
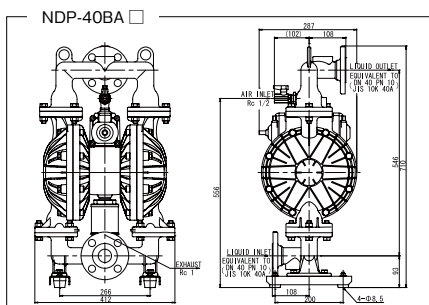


NDP-40BF □

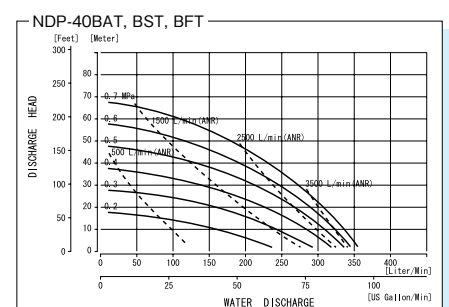
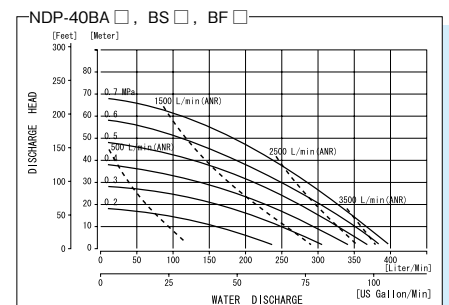
## Model Chart

Body Material	Diaphragm Material						
	Neoprene (CR)	Buna N (NBR)	EPDM	Viton® (FKM)	PTFE	Hytre® (TPEE)	Santoprene® (TPO)
Aluminum (ADC12)	NDP-40BAC (852655)	NDP-40BAN (852320)	NDP-40BAE (852656)	NDP-40BAV (852310)	NDP-40BAT (852322)	NDP-40BAH (852321)	NDP-40BAS (852706)
Stainless Steel (SCS14/SUS316)	NDP-40BSC (852657)	NDP-40BSN (852323)	NDP-40BSE (852658)	NDP-40BSV (852311)	NDP-40BST (852325)	NDP-40BSH (852324)	NDP-40BSS (852707)
Cast Iron (S45C)	NDP-40BFC (852866)	NDP-40BFN (852862)	NDP-40BFE (852867)	NDP-40BFV (852865)	NDP-40BFT (852864)	NDP-40BFH (852863)	NDP-40BFS (852868)

## Dimensions



## Performance Curve



# Body Materials

Models	NDP-40BA□	NDP-40BS□	NDP-40BF□	NDP-40BP□	NDP-40BV□
Check Valve	Same material as the diaphragm				
Valve Seat	Same material as the diaphragm			PPG	PVDF
	BAT: A5056	BST: SUS316	BFT: SUS316		
Valve Guide	Same material as the Pump Body (integral type)				
Center Disk	A5056	SUS316	SUS316	PPG (SCS13*)	PVDF (SCS13*)

\* Material of the insert

✓ Maximum Dry Suction Lift is 5M for Rubber Diaphragm and 3M for PTFE Diaphragm

## Plastic Body Pumps



Air supply pressure of Plastic Body Pumps is depending on the liquid temperature. Be sure to check the Liquid temperature – Pressure Correlation Chart.



NDP-40BP □



NDP-40BV □

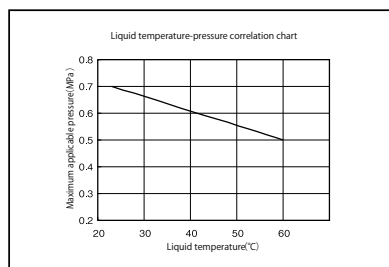
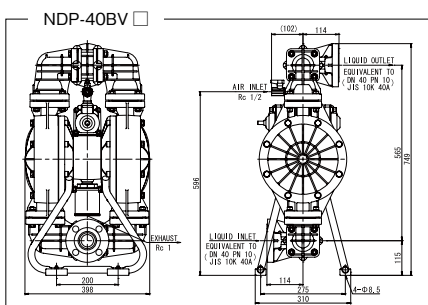
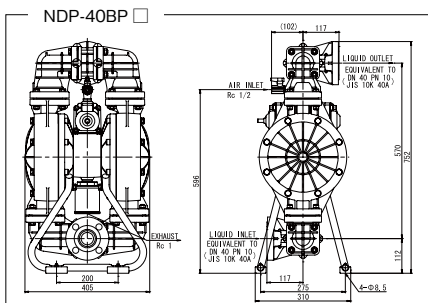
### Model Chart

Body Material	Diaphragm Material						
	Neoprene (CR)	Buna N (NBR)	EPDM	Viton® (FKM)	PTFE	HytreI® (TPEE)	Santoprene® (TPO)
Polypropylene (PPG)	NDP-40BPC (852659)	NDP-40BPN (852326)	NDP-40BPE (852660)	NDP-40BPV (852312)	NDP-40BPT (852328)	NDP-40BPH (852327)	NDP-40BPS (852708)
Kynar® (PVDF)	—	—	NDP-40BVE* (853863)	—	NDP-40BVT* (853864)	—	NDP-40BVS* (853865)



\* Purchaser shall not directly or indirectly, export, re-export transship or otherwise transfer this product in violation of any applicable export control laws and regulations promulgated and administered by the governments of the countries asserting jurisdiction over the parties or transaction.

### Dimensions



### Performance Curve

