

# DP-10 Series

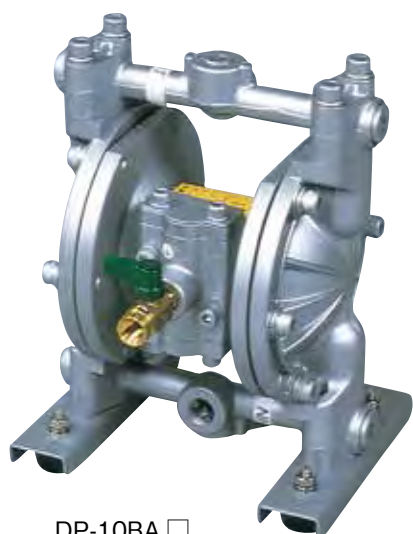
20L/min Maximum Flow Rate  
3/8 inch Port Size

## Specifications

Port Size		3/8" (10A)
Liquid	Intake	Rc3/8"
	Discharge	Rc3/8"
Air	Supply	Rc1/4" includes ball valve
	Exhaust	Rc3/8" w/silencer
Air Supply Pressure		0.2 - 0.7MPa
Maximum Discharge Pressure		0.7MPa

Discharge Volume Per Cycle	50mL
Maximum Size Solid	1mm
Net Weight	DP-10BA□: 3.5kg
	DP-10BS□: 5.2kg
	DP-10BP□: 3.0kg

## Metal Body Pumps



DP-10BA □

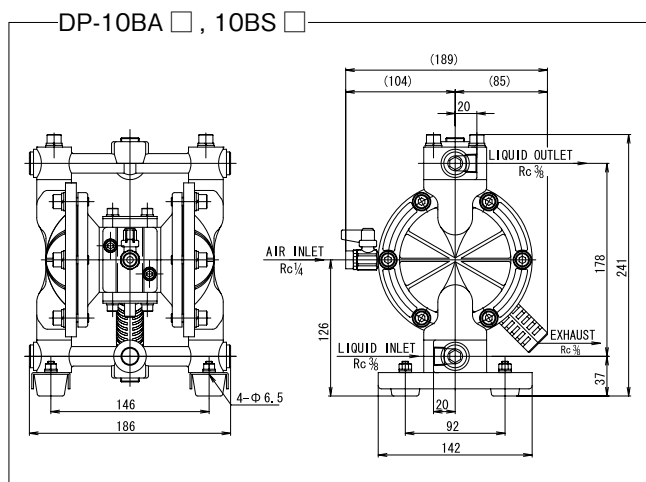


DP-10BS □

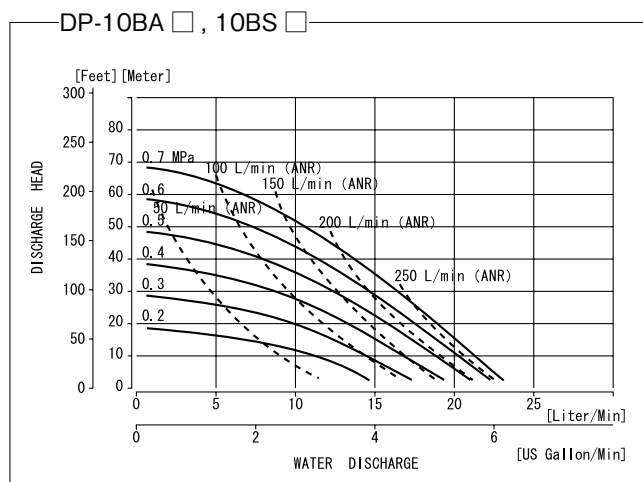
## Model Chart

Body Material	Diaphragm Material				
	Neoprene (CR)	Buna N (NBR)	PTFE	Hytre <sup>®</sup> (TPEE)	Santoprene <sup>®</sup> (TPO)
Aluminum (ADC12)	DP-10BAC (851743)	DP-10BAN (851742)	DP-10BAT (851725)	DP-10BAH (851750)	DP-10BAS (852674)
Stainless Steel (SCS14/SUS316)	DP-10BSC (851746)	DP-10BSN (851747)	DP-10BST (851741)	DP-10BSH (851751)	DP-10BSS (852675)

## Dimensions



## Performance Curve



# Body Materials

Models	DP-10BA□	DP-10BS□	DP-10BPN	DP-10BPC	DP-10BP□
Check Valve	Same material as the diaphragm				
Valve Seat	A5056	SUS316	NBR	CR	PPG
Valve Guide	PA	SUS316	PPG		
Center Disk	A5056	SUS316	PPG (SUS304*)		

\* Material of the insert

**!** PA (nylon) is used for the Valve Guide of DP-10BA□. Please be aware of corrosion resistant.

✓ Maximum Dry Suction Lift is 1M

## Plastic Body Pumps



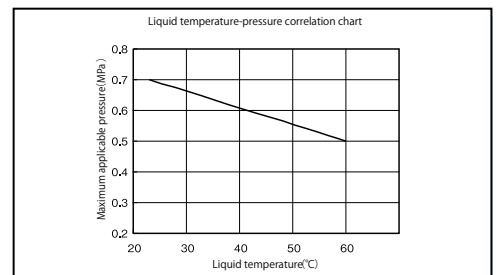
Air supply pressure of Plastic Body Pumps is depending on the liquid temperature. Be sure to check the Liquid temperature – Pressure Correlation Chart.



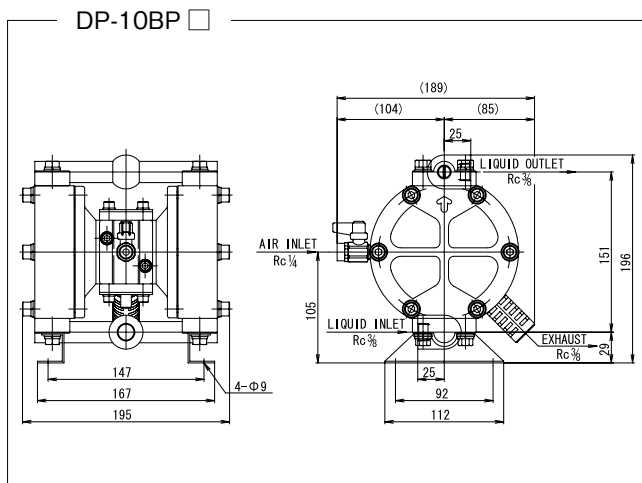
DP-10BP □

### Model Chart

Body Material	Diaphragm Material				
	Neoprene (CR)	Buna N (NBR)	PTFE	Hyrel® (TPEE)	Santoprene® (TPO)
Polypropylene (PPG)	DP-10BPC (851745)	DP-10BPN (852280)	DP-10BPT (851744)	DP-10BPH (851752)	DP-10BPS (852676)



### Dimensions



### Performance Curve

